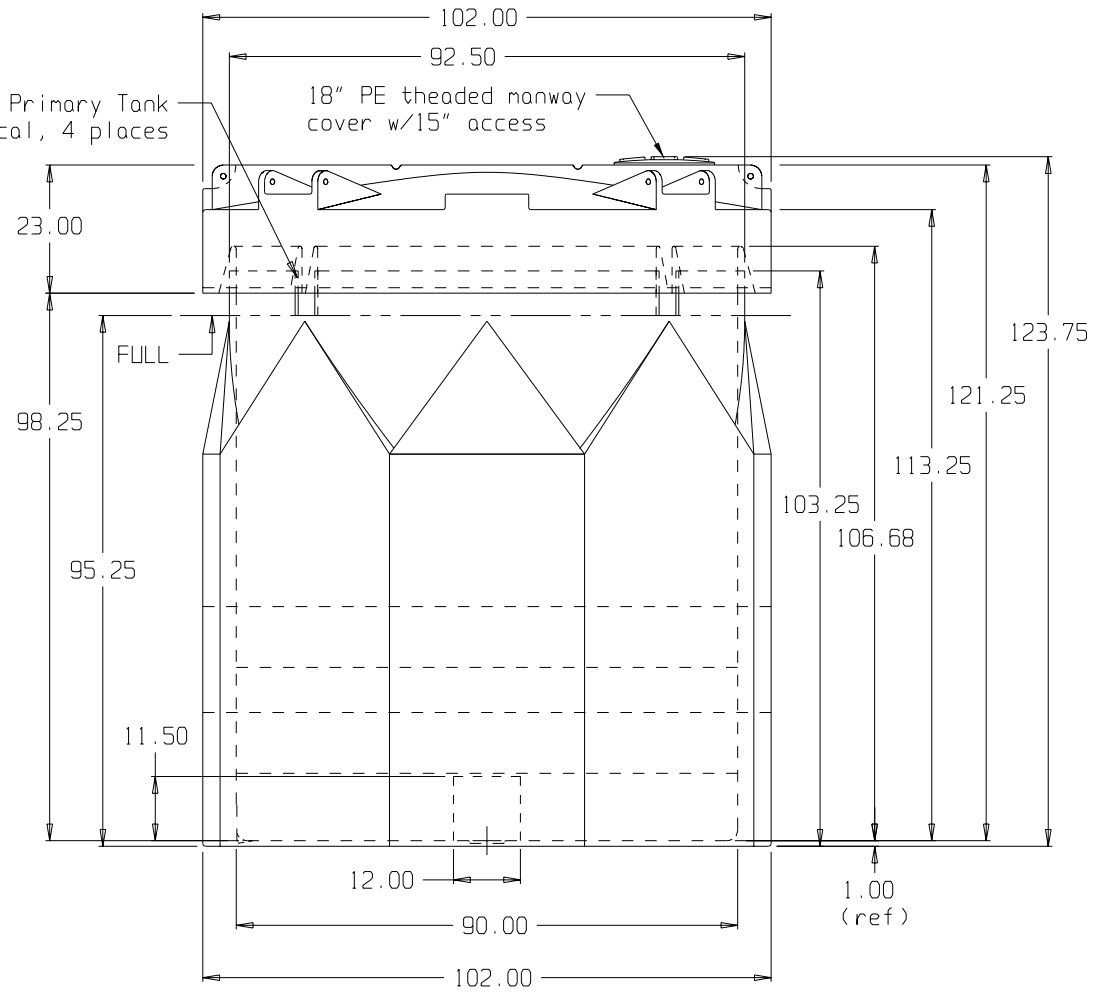


Notch to Primary Tank
90° typical, 4 places



(all dimensions in inches)

PART # PRIMARY: 5580--

CONTAINMENT: 5510--

REF#: 0000

07/29/02

BASE FITTINGS TO BE LEFT INSTALLED AT TIME OF SHIPMENT PER Sii PROCEDURE

2,500 GALLON CAPTOR CONTAINMENT SYSTEM